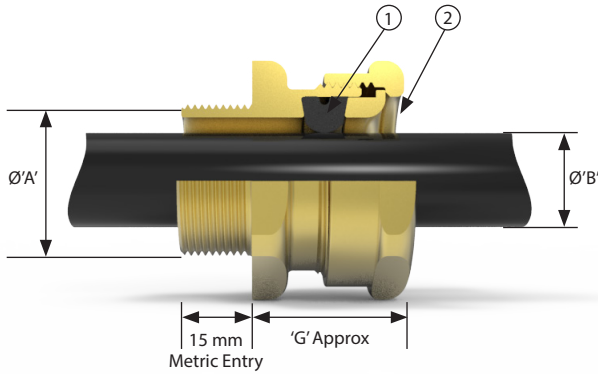




121

Industrial gland for indoor or outdoor use



- 1 Elastomeric seal on cable inner sheath
- 2 Rounded Cable entry to prevent cable damage

The 121 industrial cable gland is intended for use on non-armoured elastomer and plastic insulated cables in indoor and outdoor applications. This cable gland may be used with braided cables where the braid and outer sheath pass into the enclosure. The braid must then be suitably terminated inside the enclosure.

Cable Gland Selection Table

Size Ref.	Entry Thread Size 'A'		Cable Acceptance Details				'G'	Hexagon Dimensions	
	Metric	NPT*	Outer Sheath 'B'					Across Flats	Across Corners
			Standard Seal		Alternative Seal (S)				
			Min	Max	Min	Max			
2K	M16	–	3.2	8	–	–	23.5	19.0	21.2
Os	M202	½"	3.2	8	–	–	23.8	24.0	26.5
O	M202	½"	6.5	11.9	–	–	23.8	24.0	26.5
A	M20	¾" or ½"	10	14.3	9	13.4	24.8	30.0	32.5
B	M25	1" or ¾"	13	20.2	9.5	15.4	25.8	36.0	39.5
C	M32	1¼" or 1"	19.5	26.5	15.5	21.2	28.2	46.0	50.5
C2	M40	1½" or 1¼"	25	32.5	22	28.0	29.5	55.0	60.6
D	M50	2" or 1½"	31.5	44.4 / 42.3 ¹	27.5	34.8	40.4	65.0	70.8
E	M63	2½" or 2"	42.5	56.3 / 54.3 ¹	39	46.5	38.2	80.0	88.0
F	M75	3" or 2½"	54.5	68.2 / 65.3 ¹	49.5	58.3	40.5	95.0	104.0
G	M80	3½"	67	73	–	–	41.0	106.4	115.0
H	M90	3½"	67	77.6	–	–	41.0	115.0	130.0
J	M100	4"	75	91.6	–	–	41.0	127.0	142.0
K	M110	5"	75	91.6	–	–	59.0	127.0	142.0
L	M120	5"	88	104.5	–	–	63.0	140.0	150.0

All dimensions in millimetres (except * where dimensions are in inches). 2K-F size metric entry threads are 1.5mm pitch, 15mm length of thread as standard.
G-L size metric entry threads are 2mm pitch, 20mm length of thread as standard

1 Smaller value is applicable when selecting reduced NPT entry option.
2 Os and O are available with an M16 thread size. For O size with M16 thread, the maximum cable outer sheath diameter is 10.9mm

Technical Data

Material Options	Manufactured in Brass, Nickel Plated Brass or 316L Stainless Steel
Construction & Test Standards	IEC/EN 62444 (Anchorage Type B)
Ingress Protection	IP66 and IP67* to IEC/EN 60529
Enclosure Protection	IK10 to IEC 62262
Deluge Protection	Deluge Protection to DTS01
Operating Temperature	-60°C to +100°C

* Sizes K and L are IP66 only

Ordering Information

Format for ordering is as follows: Alternative Seal (S), add suffix S to ordering information

Cable Gland Type	Size	Thread	(Optional)
121	C	M32	S
121	C	1¼" NPT	S

Order Example: 121 C M32 S